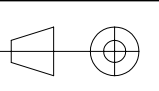
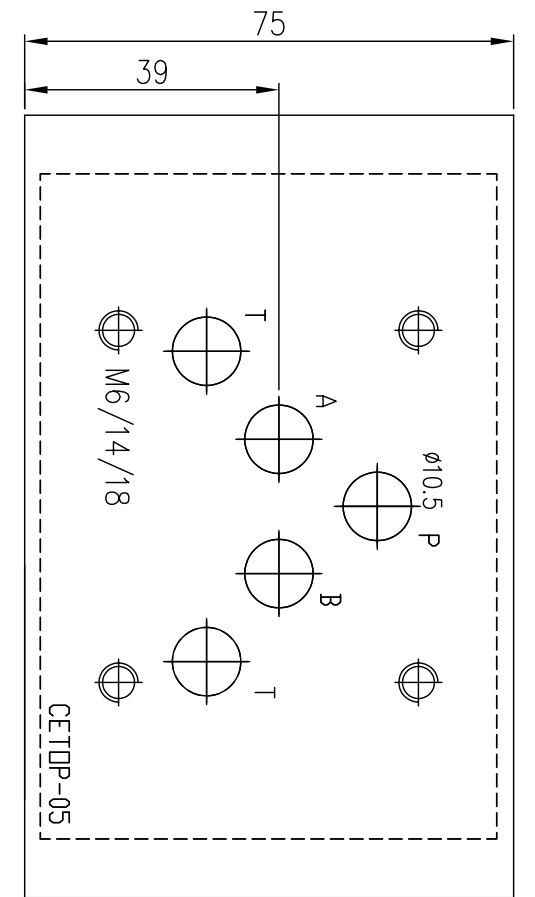
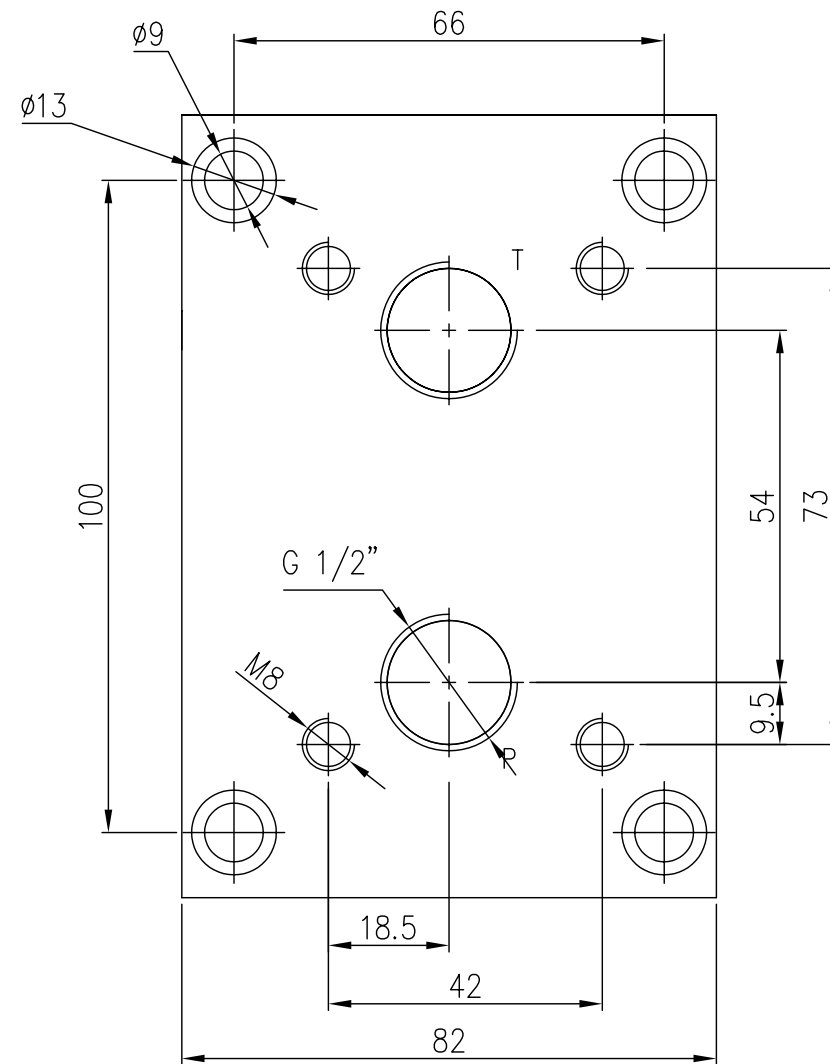
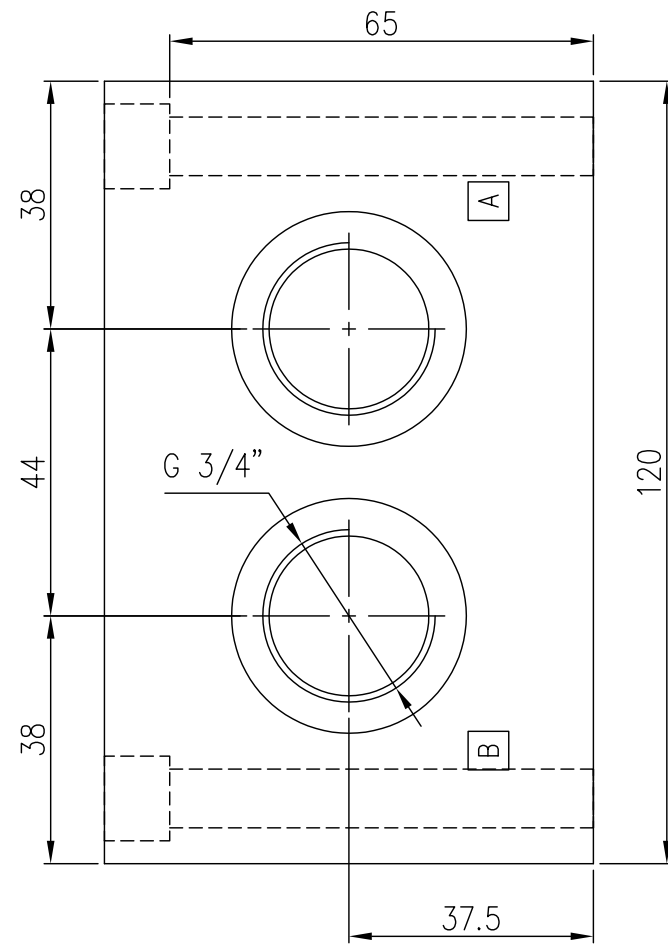
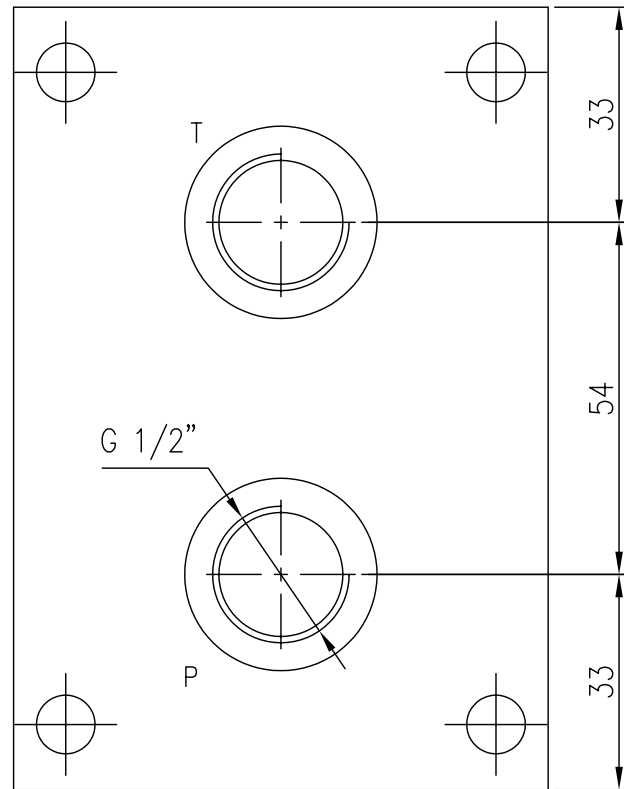
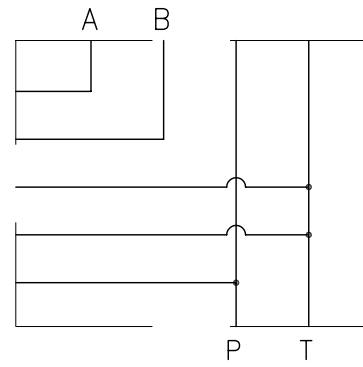


Hydr. symbol / Symbol



Diseg./Drawn M.V.	Data/Date 10/04/2015	App./Approved	Data/Date	Materiale/Material GG25
Denominazione/Title SUB PLATE FOR PACKING				Finitura/Finish MANGAN PHOSPHATED
NG10				Direttorio/Cartella/File Spec/incorso/Studi/
Codice/Drawing number EZ171C5434P				Scala/Scale /
				I.R. 01

